



Multi-Fit Standard Arbor



MULTIFITBLADES
oscillating tool blades and accessories

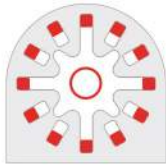


MultiFitBlades.com
1-888-594-4442

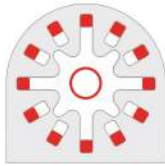
Multi-Fit Standard / Universal Arbor Fit



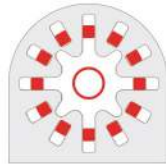
Fein® Multimaster™



Bosch® Multi X™



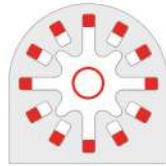
Makita®



Dremel® Multi-Max™
(Except MM40 & MM45 models)



Chicago Electric®



Milwaukee®



Craftsman®



Ridgid® Jobmax™



Multi-Fit Standard oscillating blades and accessories are also compatible with these machines:

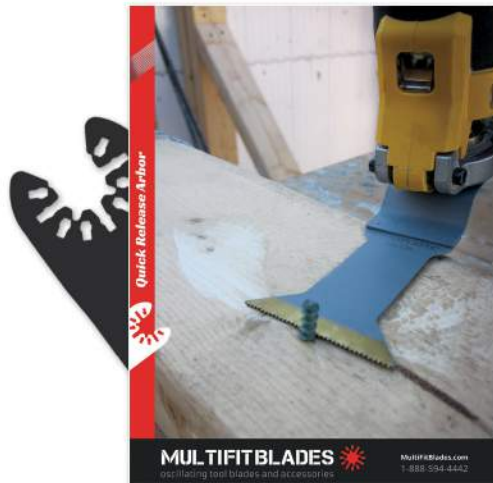
Channellock®, Force® 2.2 Amp, Genesis®, GTV® Oscillating Tool, Haussmann® 5-in-1, i-Drill®, Jobmate® Oscillating Tool, Kawasaki®, King Canada®, Klutch®, Kwiktool USA®, Mastercraft®, Master Mechanic®, Performax®, Power IT® Multi-Tool, Project Pro®, Ryobi® JobPlus™, Samona® (Rok) Multi-Tool, Shop Basics®, Skill®, SunZi® Multi-Tool, Task Force®, Tool Shop®

All brands are registered trademarks of their respective owners.

For the **complete compatibility list**, visit MultiFitBlades.com or call 1-888-594-4442.

More Catalogs from MultiFitBlades

Quick Release Arbor



To **download** the Quick Release Arbor, visit MultiFitBlades.com/catalogs

Welcome to the World of Multi-Fit Blades

We are your one stop oscillating tool blade accessory Super-Center.

Multi-Fit Blades is revolutionizing the oscillating tool industry by offering our customers the broadest selection of Low Cost, High Quality replacement blades and accessories for your multifunction power tools.

As oscillating tooling specialists, we are continuously striving to develop new cutters and accessories for your machines. Browse our catalog to see familiar favorites and new product ideas guaranteed to broaden your horizons.



Contents

page

Machine Compatibility	inside cover
Applications Overview	2
Blades & Accessories	3
Metal Cutting	3
Wood Cutting	6
Tile Grout & Masonry	9
Scraping, Caulking, Flexible Material Cutting	13
Sanding, cleaning	16
Misc. parts	19
Kits	21
Tips & Tricks	27
Inventor Program	28




To order visit MultiFitBlades.com or call **1-888-594-4442**

Applications Overview

SKU	Medium Metal	Thin Metal	Wood with Nails	Clean Wood	Drywall	Plastics	Tile Grout	Plaster and Masonry
M001		•	•	•	•	•		
M002		•	•	•	•	•		
M045		•	•	•	•	•		
M450T	•	•	•	•	•	•		
M020		•	•	•	•	•		
M021		•	•	•	•	•		
M022		•	•	•	•	•		
M003				•	•	•		
M004				•	•	•		
M005				•	•	•		
M005HC				•	•	•		
M006				•	•	•		
M006HC				•	•	•		
M007				•	•	•		
M008				•	•	•		
M009				•	•	•		
M014							•	•
M014D							•	•
M015							•	•
M016							•	•
M017							•	•
M029							•	•
M030							•	•
M031							•	•
M034							•	•
M061							•	•
M064							•	•

Metal Cutting p. 3 – 5
 Also cuts Wood with Nails, Clean Wood, Drywall and Plastics.



Wood Cutting p. 6 – 8
 Also cuts Drywall and Plastics.



Tile Grout and Masonry p. 9 – 12
 Also cuts Plaster.



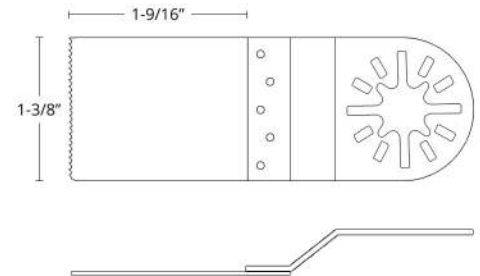
1-3/8" Bi-Metal Universal Saw Blade M001

Use this general purpose Universal saw blade to cut through nail embedded wood.

- This budget saver universal saw blade is a popular cutter for those who just want one simple blade choice to do it all
- Ideal for remodeling jobs requiring general cutting of nail embedded wood
- Made by laser welding a high speed steel cutting edge to a flexible alloy steel back to resist breaking and extend the durability of the blade



Blade width	Teeth per Inch	Plunge Depth
1-3/8" x 0.035" material thickness	20	1-9/16"



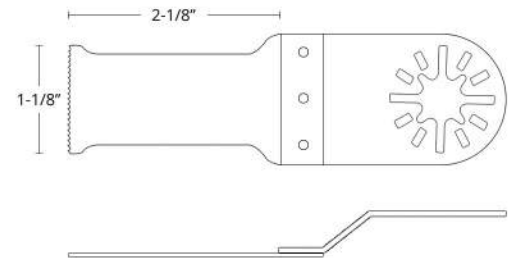
1-1/8" Bi-Metal Universal Saw Blade M002

This general purpose Bi-Metal Universal saw blade has a 2-1/8" long reach for cutting nail embedded wood.

- This premium bi-metal blade is very effective at plunge and linear cutting situations
- Ideal for remodeling jobs requiring general cutting of nail embedded wood
- Made by laser welding a M42 high speed steel cutting edge to a flexible alloy steel back to resist breaking and extend the life of this blade



Blade width	Teeth per Inch	Plunge Depth
1-1/8" x 0.035" material thickness	20	2-1/8"



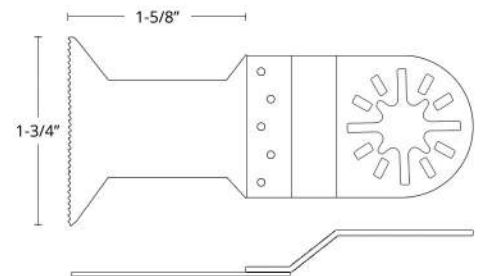
1-3/4" Wide Bi-Metal Universal Saw Blade M045

This wider blade is great for maintaining cutting contact as you saw through nail embedded wood.

- Our 1-3/4 inch wide Universal Bi-Metal Blades are designed for Flush or Plunge cutting situations
- This extra wide blade makes it easier for new users to maintain proper cutting contact
- Made by laser welding a M42 high speed steel cutting edge to a flexible alloy steel back to resist breaking and extend the life of this blade



Blade width	Teeth per Inch	Plunge Depth
1-3/4" x 0.035" material thickness	20	1-5/8"



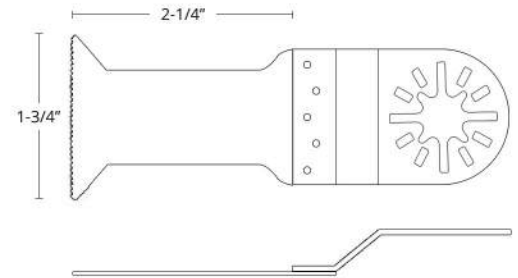
1-3/4" Wide Titanium Bi-Metal Universal Saw Blade *////////// M450T*

The titanium coating provides this saw blade with an extra layer of cutting teeth protection making this blade ideal for both demolition or deep plunge cutting of nail or screw embedded woods.

- Our 1-3/4 inch wide titanium coated bi-metal blade is our longest lasting universal cutter
- The wide width of this blade is ideal for maintaining cutting contact as you cut through fiberglass, PVC, copper pipes, metal mesh and thin sheet metal



Blade width	Teeth per Inch	Plunge Depth
1-3/4" x 0.033" material thickness	20	2-1/4"



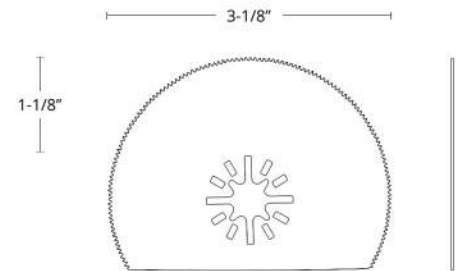
3-1/8" Segmented Circular HSS Saw Blade *////////// M020*

This segmented circle blade is excellent for linear cutting of thinner sheet metals, all woods and most plastics.

- Use this high speed steel (HSS) blade for cutting metal up to 20 gauge thick
- Segmented circumference (flat side) of this blade allows you to cut all the way to the corners without over-cutting
- Use this blade for longer span cuts because a round blade provides greater control and precision when following a cut-line



Blade width	Teeth per Inch	Plunge Depth
3-1/8" x 0.030" material thickness	20	1-1/8"



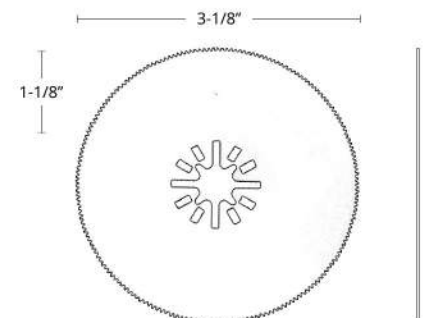
3-1/8" Circular HSS Saw Blade *////////// M021*

This full circle blade is excellent for linear cutting of thinner sheet metals, all woods and most plastics.

- Made from M42 high speed steel and is excellent for wood and metal cutting
- Use this HSS blade for cutting metal up to 20 gauge thick
- Use this blade for longer span cuts because a round blade provides greater control and precision when following a cut-line



Blade width	Teeth per Inch	Plunge Depth
3-1/8" x 0.030" material thickness	20	1-1/8"



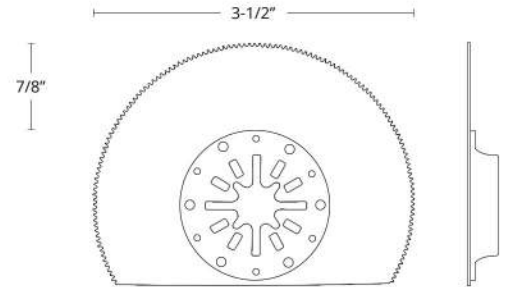
3-1/2" Flush Cut Segmented Circular Saw Blade **M022**

This blade has an off-set machine attachment cup for making flush cuts and the circumference is segmented (flat) on one side to get you into the corners.

- Made from M42 high speed steel and is excellent for wood and metal cutting, use this HSS blade for cutting metal up to 20 gauge thick
- The offset flush-cut center cup design allows the face of this blade to be placed flat on your work surface for a controlled perpendicular cut
- Use this blade for longer span cuts because a round blade provides greater control and precision when following a cut-line



Blade width	Teeth per Inch	Plunge Depth
3-1/2" x 0.033" material thickness	20	7/8"



1-1/4" Fine Tooth Saw Blade M003

This saw blade is designed for clean cutting of harder commercial grade woods such as oak, hickory and ash. Using this blade with a steady hand will give you a nice clean finish.

- Use this high carbon steel blade for clean flush cutting into hardwoods, plywood and particle boards
- The fine teeth on this blade make it excellent for controlled cutting of plastics, sheetrock, fiberglass and other non metallic materials



Blade width	Teeth per Inch	Plunge Depth
1-1/4" x 0.026" material thickness	18	1-5/8"



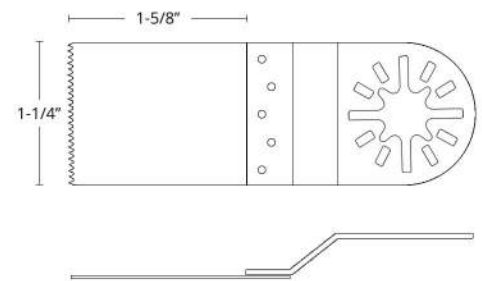
Clean Wood



Drywall



Plastics



1-3/8" Japan Tooth Saw Blade M004

Consider using this saw blade for fast and clean cutting of softer woods such as pine, spruce and fir.

- Precision ground double-row of beveled teeth, allow for fast plunge cuts into wood, sheetrock and soft plastics
- This aggressive blade will have you approaching reciprocating saw cutting speeds
- The sharpened teeth on this blade will cut through laminates without chipping



Blade width	Teeth per Inch	Plunge Depth
1-3/8" x 0.030" material thickness	14	1-9/16"



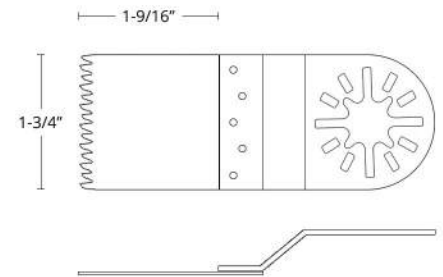
Clean Wood



Drywall



Plastics



3/8" Fine Tooth Stainless Steel Saw Blade M005

This stainless steel blade is your multi-tool surgical scalpel for making precision cut-outs in finished or unfinished wood, plastic or laminates.

- Made from flexible spring grade stainless steel this blade cuts surprisingly fast through wood and other non-abrasive materials
- Cuts wood and plastic quickly and minimizes on cutting disturbances to the surrounding area
- This easy to guide cutter is excellent for use in and around finished trim and moldings



Blade width	Teeth per Inch	Plunge Depth
3/8" x 0.020" material thickness	20	1-9/16"



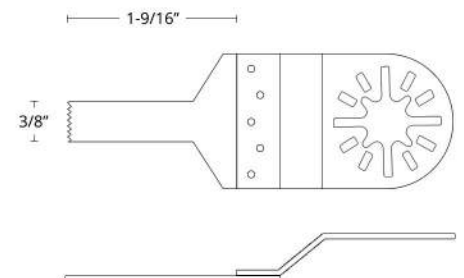
Clean Wood



Drywall



Plastics



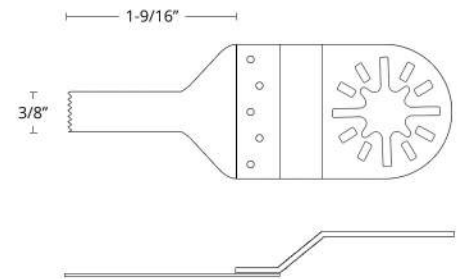
3/8" Fine Tooth Saw Blade M005HC

This 3/8" wide saw blade is perfect for those smaller cut-outs. Use on wood, drywall and plastics.

- Use this high carbon steel blade for clean flush cutting into hardwoods, plywood and particle boards
- Fine teeth on this blade make it excellent for controlled cutting of plastics, sheetrock, fiberglass and other non metallic materials
- Sometimes there is no other way without this smaller cutter



Blade width	Teeth per Inch	Plunge Depth
3/8" x 0.025" material thickness	18	1-9/16"



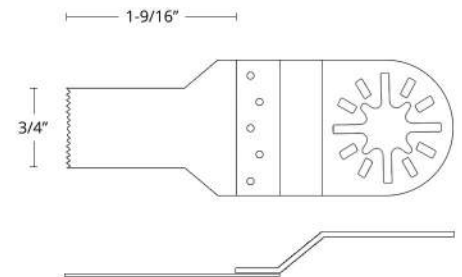
3/4" Fine Tooth Stainless Steel Saw Blade M006

This stainless steel blade is your multi-tool surgical scalpel for making precision cut-outs in finished or unfinished wood, plastic or laminates.

- Our 3/4" fine blade is made from flexible spring grade stainless steel, cuts surprisingly fast through wood and other non-abrasive materials
- This aggressive blade will have you approaching reciprocating saw cutting speeds
- This easy to guide cutter is excellent for use in and around finished trim and moldings



Blade width	Teeth per Inch	Plunge Depth
3/4" x 0.020" material thickness	20	1-9/16"



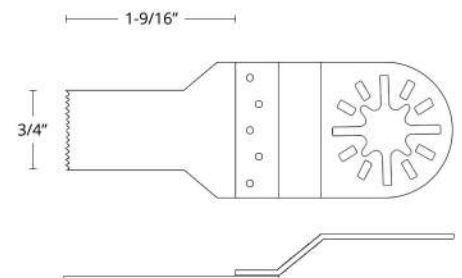
3/4" Fine Tooth Saw Blade M006HC

This 3/4" wide saw blade is perfect for those smaller cut-outs. Use on wood, drywall and plastics.

- Use this high carbon steel blade for clean flush cutting into hardwoods, plywood and particle boards
- Fine teeth on this blade make it excellent for controlled cutting of plastics, sheetrock, fiberglass and other non metallic materials
- Sometimes there is no other way without this smaller cutter



Blade width	Teeth per Inch	Plunge Depth
3/4" x 0.025" material thickness	18	1-9/16"



1-1/4" Fine Tooth Stainless Steel Saw Blade M007

This stainless steel blade is your multi-tool surgical scalpel for making precision cut-outs in finished or unfinished wood, plastic or laminates.

- This blade cuts surprisingly fast through wood and other non-abrasive materials
- Cuts wood and plastic quickly and minimizes on cutting disturbances to the surrounding area
- Very operator friendly blade due to its guidable nature, excellent for use in and around finished trim and moldings



Blade width	Teeth per Inch	Plunge Depth
1-1/4" x 0.020" material thickness	20	1-9/16"



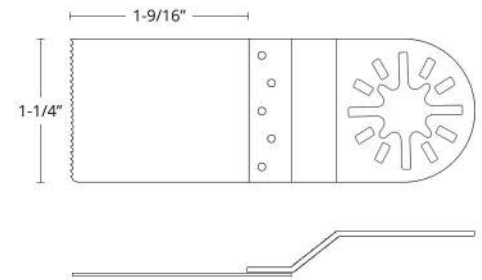
Clean Wood



Drywall



Plastics



2-5/8" Fine Tooth Saw Blade M008

Increase your linear cutting efficiency with this wide fine tooth saw blade. Use this blade for cutting harder grade woods.

- Designed for clean flush cutting into hardwoods, plywood and particle boards
- Excellent for controlled cutting applications of plastics, sheetrock, fiberglass and other non metallic materials
- Larger surface of this cutter makes it an excellent "shovel blade" for cutting and lifting old flooring coverings with ease



Blade width	Teeth per Inch	Plunge Depth
2-5/8" x 0.026" material thickness	18	1-5/8"



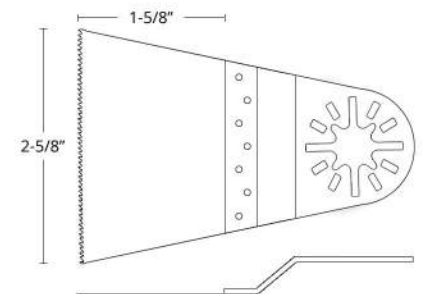
Clean Wood



Drywall



Plastics



2-5/8" Japan Tooth Saw Blade M009

Increase your linear cutting efficiency with this Japan tooth saw blade. Applicable for wide scale aggressive cutting of softer woods such as pines, spruces and fir. Clean linear cuts done quickly.

- The 2-5/8" precision ground double-row beveled tooth design facilitate wide scale aggressive cutting into wood, sheetrock and soft plastics
- The sharpened teeth on this blade will cut through laminates quickly without chipping
- Great for linear cutting of softwoods where maximum drive speeds can still produce a clean finish you'll love



Blade width	Teeth per Inch	Plunge Depth
2-5/8" x 0.030" material thickness	14	1-5/8"



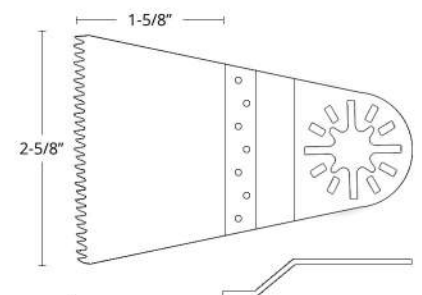
Clean Wood



Drywall



Plastics



2-1/2" Flush Cut Carbide Blade M014

This carbide grit blade is excellent for tile grout removal or small concrete or tile notching.

- Great for removing damaged tile grout, mortar or thin-set - choose this carbide blade for tile gap openings greater than 1/8 inch
- Can also be used for coarse removal of stubborn adhesives or for making groove cutouts or channels onto concrete type surfaces
- The segmented design (flat side) allows the cutter to completely work all the way into the corners without damaging opposing walls or surfaces



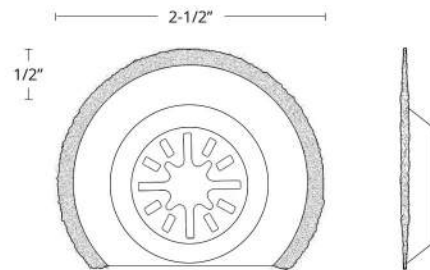
Blade width	Grit	Plunge Depth
2-1/2" x 0.125" carbide grit thickness	30	1/2"



Tile Grout



Plaster and
Masonry



2-1/2" Flush Cut Diamond Blade M014D

Our premium long lasting diamond blade is excellent for tile grout removal or small concrete or tile notching.

- Premium diamond cutter is great for removing damaged tile grout, mortar or thin-set
- Segmented design (flat side) allows this cutter to completely work all the way into the corners without damaging opposing walls or surfaces
- A diamond cutter will give you 2-3 times more service life than a regular carbide blade – use for tile gaps as small as .090" and up



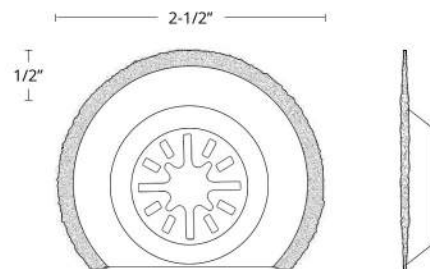
Blade width	Grit	Plunge Depth
2-1/2" x 0.085" carbide grit thickness	30	1/2"



Tile Grout



Plaster and
Masonry



2-1/2" Flush Cut Full Circle Carbide Blade M015

This carbide grit blade is excellent for tile grout removal or small concrete or tile notching.

- Great for removing damaged tile grout, mortar or thin-set
- The full circle design gives a complete circumference of working grit to maximize on the working life expectancy of this blade
- Choose this full circle carbide blade for tile gap openings greater than 1/8 inch



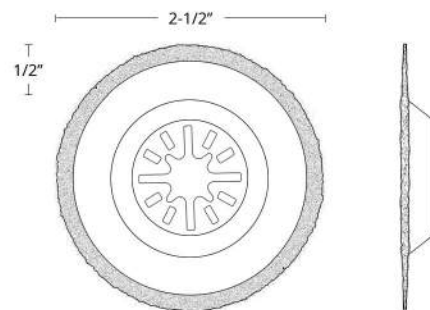
Blade width	Grit	Plunge Depth
2-1/2" x 0.125" carbide grit thickness	30	1/2"



Tile Grout



Plaster and
Masonry



Flush Cut Triangular Carbide Rasp M016

This triangular carbide rasp is excellent for coarse grinding of tile thin set mortar, hardened adhesives, masonry surfaces or concrete edges.

- Use for coarse grinding or rasping of thin set, masonry mortar and hardened adhesives
- Flush cut design and triangular shape will allow this rasp to be effective all the way into the corners
- Use this rasp to grind down concrete high spots or for any coarse removal of porous cement type materials



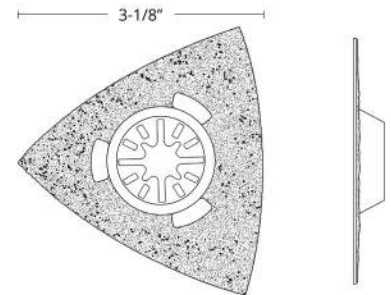
Blade width	Grit	Plunge Depth
3-1/8" Tip-to-Tip	30	N/A



Tile Grout



Plaster and
Masonry



Flush Cut Finger Carbide Rasp M017

This finger carbide rasp is essential for coarse removal of tile thin set mortar, hardened adhesives, masonry surfaces or concrete edges in tight spaces.

- Use this mini rasp for coarse material removal in tight areas
- With carbide grit on both sides, this rasp is also effective at penetrating removal of grout, thin sets or hardened adhesives
- Use this blade to rasp away concrete high spots or for localized flush grinding of porous cement type materials



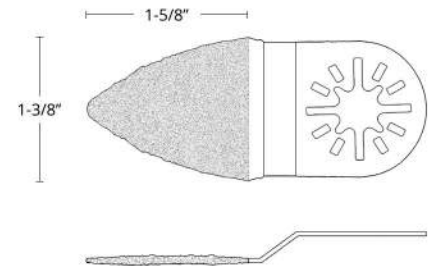
Blade width	Grit	Plunge Depth
1-3/8" x 0.130" carbide grit thickness	30	N/A



Tile Grout



Plaster and
Masonry



3-5/8" Flush Cut Segmented Diamond Circular Blade (Thin) M029

This premium long lasting thin diamond blade is excellent for grout removal around tightly spaced tiles.

- Great for removing damaged tile grout, mortar or thin-set – large circumference of cutter gives you a long service life
- The segmented design (flat side) allows cutter to completely work all the way into corners without damaging opposing walls or surfaces
- Choose this thin grit diamond blade for tight tile gaps as small as 0.065" and up



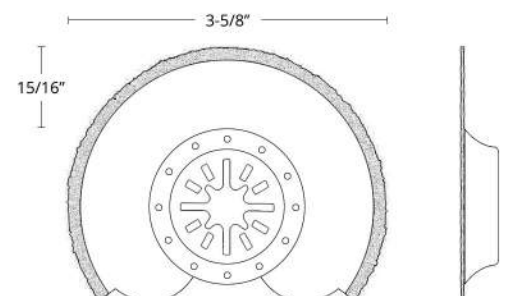
Blade width	Grit	Plunge Depth
3-5/8" x 0.065" diamond grit thickness	30	15/16" (0.938")



Tile Grout



Plaster and
Masonry



2-1/2" Diamond Circular Blade M030

Our premium long lasting diamond blade is excellent for tile grout removal or small concrete or tile notching.

- Remove grout, notch ceramic tiles, cut fiberglass, epoxy, cement, fiberboard, drywall, plaster, stucco, brick or masonry
- Choose this thin grit diamond blade for tight tile gaps as small as .075" and up
- Diamond cutters give you 2 to 3 times more service life than a regular carbide blade



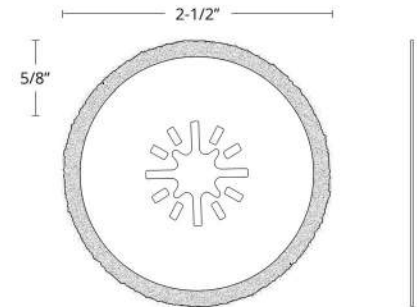
Blade width	Grit	Plunge Depth
2-1/2" x 0.075" diamond grit thickness	30	5/8"



Tile Grout



Plaster and
Masonry



Diamond Swing Blade M031

This diamond-coated swing cutter is your premium choice when working in tight spaces.

- Efficiently designed to optimize your ability to cut in tight spaces, engineered shape of this blade will cut-out grout situated around obstacles
- Use for minor notch-outs in ceramic tiles and to cut fiberglass, epoxy, cement, fiberboard, drywall, plaster, stucco, brick or masonry etc.
- Choose this thin grit diamond blade for tight tile gaps from .075" and up



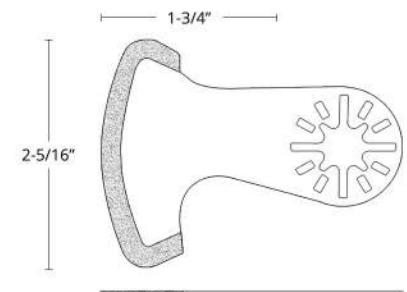
Blade width	Grit	Plunge Depth
2-5/16" x 0.075" diamond grit thickness	30	1-3/4"



Tile Grout



Plaster and
Masonry



2-5/8" Segment Flush Cut Diamond Blade M034

Use this diamond blade as a plunge cutter for removing grout or use it for flush and undercutting situations.

- This premium blade is great for cutting tile grout, mortar or thin-sets
- The step-down design allows this diamond blade to cut flush with your desired surfaces all the way into the corners
- Choose this diamond blade for tile gaps from 0.080" and up



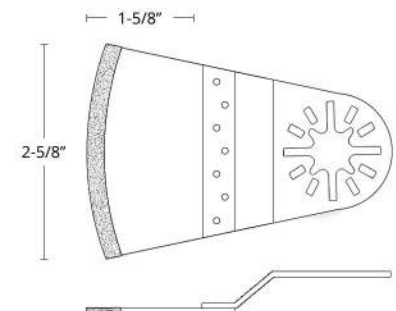
Blade width	Grit	Plunge Depth
2-5/8" x 0.080" diamond grit thickness	30	1-5/8"



Tile Grout



Plaster and
Masonry



Narrow Carbide Finger Blade **M061**

This Narrow Carbide Finger Blade will be your 1st choice when removing grout in between curved or complex tile profile shapes or patterns.

- Precisely remove grout situated around irregular or complex tile shapes without damaging your design
- Flat stick shape of this blade can be used to cut-out short sections of tile grout situated around obstacles or in complicated tile variations



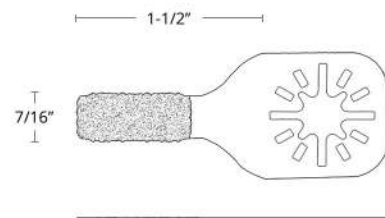
Blade width	Grit	Plunge Depth
7/16" x 0.125" carbide grit thickness	30	1-1/2"



Tile Grout



Plaster and
Masonry



1-1/4" Flush Cut Diamond Blade **M064**

This flush cut 1-1/4 inch wide diamond blade is great for controlled plunge cut situations. Cut into surfaces such as grout, Hardie board, concrete board and minor cut-outs into ceramic tile.

- Premium 1-1/4" width diamond-coated blade is great for flush-cutting away tile grout, mortar or thin-sets
- Great for making controlled plunge cuts, this blade will cleanly make slots, electric box openings or channels into concrete type surfaces
- Step-down design allows this diamond blade to cut cleanly flush with your desired surfaces all the way into the corners



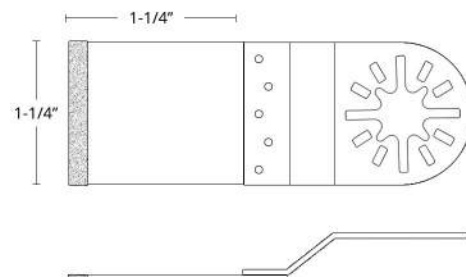
Blade width	Grit	Plunge Depth
1-1/4" x 0.085" diamond grit thickness	30	1-1/4"



Tile Grout



Plaster and
Masonry



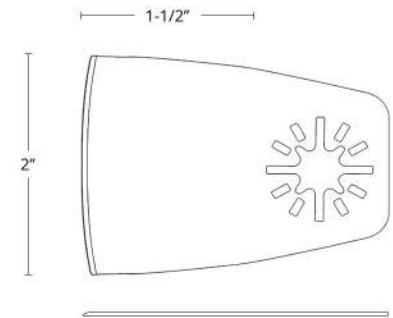
Flat Knife Edge Scraper M010

This stiff scraper is excellent for removing caulking or adhesives from a base surface. The flat profile facilitates plunge action material removal.

- Use this scraper to cut away adhesives, caulking, silicone or any other sealants away from a desired base surface
- The sharpened knife edge is also capable of cutting-up carpet, leather, linoleum and cardboard



Blade width	Teeth per Inch	Plunge Depth
2" x 0.035" material thickness	N/A	1-1/2"



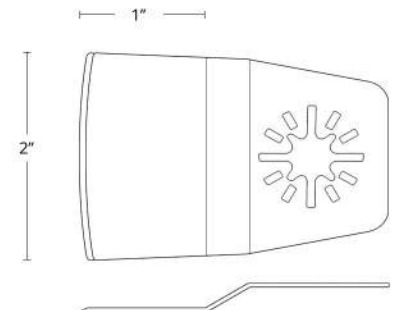
Flush Cut Knife Edge Scraper M011

This scraper is excellent for the controlled removal of caulking or adhesives. The flush cut design allows this blade to cleanly remove material away from a base surface.

- Use this scraper to clear away material build-up without harming most finishes
- The sharpened knife edge is also quite capable of cutting-up carpet, leather, linoleum or cardboard
- The step-down flush-cut profile design allows the operator to lay the blade flat on the working surface for consistent scraping results



Blade width	Teeth per Inch	Plunge Depth
2" x 0.035" material thickness	N/A	1"



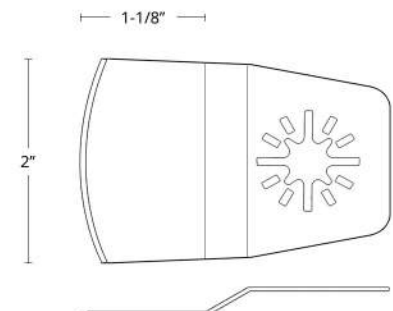
Flush Cut Convex Segment Knife Edge Scraper M012

This scraper is excellent for removing tough and resistant caulking or adhesives from a base surface.

- Use this scraper to cut away those tougher adhesives, caulking, silicone or any other material build-up away from a desired work surface
- The sharpened outward curving convex knife edge shape creates a centralized scraping power-zone as your multi-tool advances along
- The step-down flush-cut profile allows the operator to lay the blade flat on the working surface for controlled scraping



Blade width	Teeth per Inch	Plunge Depth
2" x 0.035" material thickness	N/A	1-1/8"



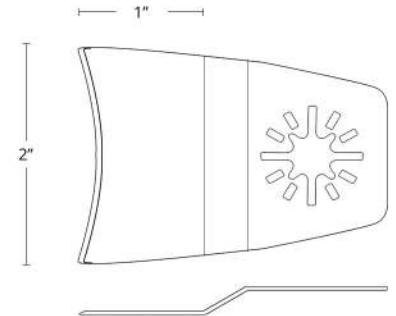
Flush Cut Concave Segment Knife Edge Scraper M013

This scraper is excellent for cutting or removing rubbery or fabric type materials. The inward curving knife edge gathers and cuts as it moves forward.

- Use this flush cut concave scraper to efficiently cut rubbery adhesives, polystyrene, felts or flexible materials
- The sharp 'open-mouth' concave knife edge, scoops-up and cuts utilizing the oscillation action of your multi-tool to gather those softer materials for cutting at the blade's vertex as you move along



Blade width	Teeth per Inch	Plunge Depth
2" x 0.035" material thickness	N/A	1"



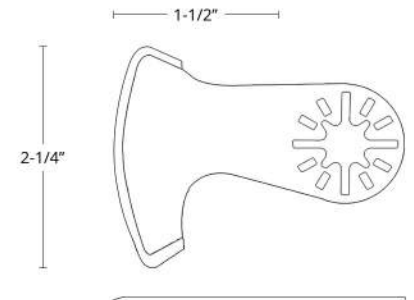
Segment Knife Swing Blade M032

This segmented knife edge cutter is excellent for removing sealants, caulking or adhesives. Its' design optimizes your ability to work in and around block forms or in tight spaces.

- This stainless steel semi-circle knife edge blade features a cut-away profile for sealant & caulking removal all the into the corners
- The engineered shape of this blade helps you to cut-out sealants situated around obstacles
- This segmented knife blade is also efficiently designed to optimize your ability to work with ease



Blade width	Teeth per Inch	Plunge Depth
2-1/4"	N/A	1-1/2"



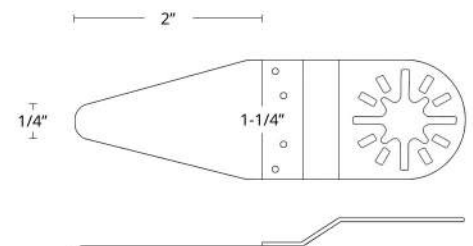
Flush Cut Tapered Sealant Cutter M035

This Sealant Cutter is excellent for the removal of silicone caulking or soft adhesives. Having a full knife edge profile allows this blade to easily penetrate and cut pliable materials cleanly away from a base surface.

- The sharpened tapered edges on both sides of this blade are quite capable of separating most materials bonded by sealants
- The step-down flush-cut profile design allows the operator to lay the blade flat on a working surface for consistent controlled scraping



Blade width	Teeth per Inch	Plunge Depth
1-1/4" to 1/4" at tip 0.035" material thickness	N/A	2"



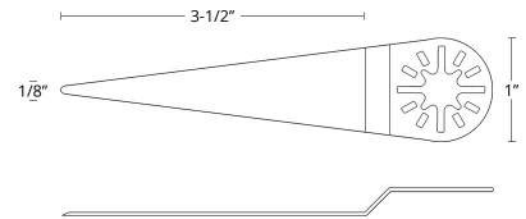
3-1/2" Flush Cut Tapered Sealant Cutter **M053**

This cutter is excellent for deep removal of silicone caulking or soft adhesives. The full knife edge profile allows this blade to penetrate and cut pliable materials cleanly away from a base surface.

- This 3-1/2 inch long blade features sharp tapered edges on both sides and is ideal for long reach removal of sealants
- The step-down flush-cut profile design allows the operator to lay the blade flat on a working surface for consistent controlled scraping
- This extended blade length design is only recommended for heavier duty multi-tool machines



Blade width	Teeth per Inch	Plunge Depth
1" to 1/8" at tip 0.058" material thickness	N/A	3-1/2"



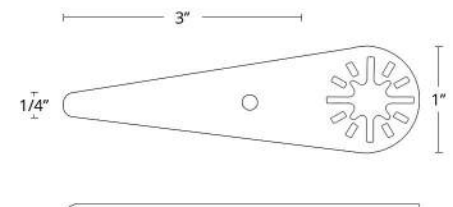
3 Inch Tapered Sealant Cutter **M056**

This flat stock tapered sealant cutter is excellent for penetrating removal of silicone caulking or soft adhesives in between base surfaces.

- This 3 inch long blade features sharp tapered edges on both sides for reaching into deep joints
- Use this tapered sealant cutter to remove adhesives, soft caulking, silicone or any other gummy material away from a desired base surface
- The flat stock profile of this blade is ideal for plunge removal of pliable caulking



Blade width	Teeth per Inch	Plunge Depth
1" to 1/4" at tip 0.06" material thickness	N/A	3"



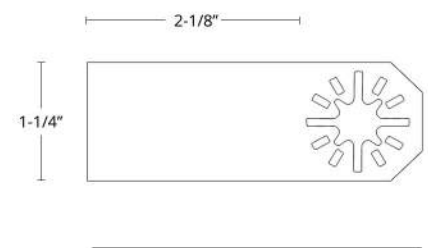
Straight Sealant Cutter **M057**

This cutter is excellent for broad plunging removal of soft caulking or adhesives. Ideal for the separation of block forms or expansion joints, bonded by silicone or other caulking materials.

- This rectangular cutter has sharpened edges on both long sides for efficient joint sealant removal
- The profile of this cutter is ideal for the plunge removal and separation of block forms held in place by caulking



Blade width	Teeth per Inch	Plunge Depth
1-1/4" x 0.04" material thickness	N/A	2-1/8"



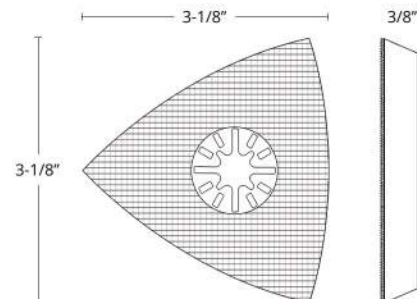
Triangular Sanding Pad M019

This Velcro hook & loop sanding pad accommodates our multi-tool standard size triangular sanding sheets measuring 3-1/8 inch, tip-to-tip, (Sku: M025SP40 - 240).

- This popular size 'Velcro' pad turns your multi-tool into a sanding workhorse
- Ideal for finishing work on most surfaces all the way into the corners for added versatility
- This premium hook and loop (Velcro) triangular sanding pad is designed to utilize quick attach hook & loop triangular sanding sheets



Measurements	Teeth per Inch	Plunge Depth
3-1/8" x 3-1/8" 3/8" thickness	N/A	N/A



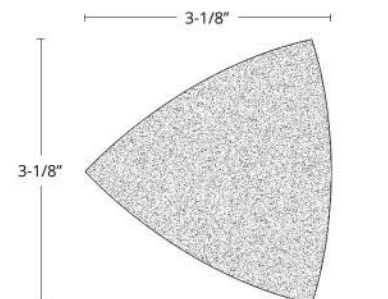
Triangular Sanding Sheets (5 pack) - Available in multiple grits

Our pre-cut sanding sheets have a Velcro backing and universally match fit most standard sized multi-tool hook & loop sanding pads. This product meets or exceeds industry application standards.

- These quick attach sandpaper sheets have a hook-and-loop backing for easy positioning and removal from a multi-tool triangular sanding pad
- These standard fit hook & loop sheets are for use with almost any brand multi-tool with a hook & loop sanding pad attachment



Measurements	Grit	Sku
3-1/8" x 3-1/8"	40	M025SP40
3-1/8" x 3-1/8"	60	M025SP60
3-1/8" x 3-1/8"	80	M025SP80
3-1/8" x 3-1/8"	120	M025SP120
3-1/8" x 3-1/8"	180	M025SP180
3-1/8" x 3-1/8"	240	M025SP240



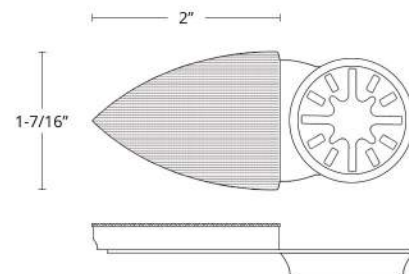
Finger Sanding Pad M018

Use this mini Velcro hook & loop sanding pad get into in tight spaces. This small size pad accommodates our pre-cut Finger Sanding Sheets (Sku: M027SP40 - 240).

- The unique design lets you do multi-tool sanding in narrow hard-to-reach places such as channels, grooves, openings, rabbets, convex and hollow shapes for added versatility
- This premium hook and loop (Velcro) finger sanding pad is designed to utilize quick attach hook & loop "finger" sanding sheets



Measurements	Teeth per Inch	Plunge Depth
1-7/16" x 2"	N/A	N/A



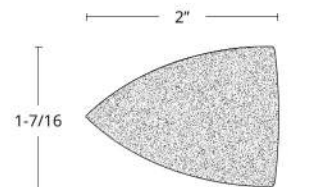
Finger Sanding Sheets (5 pack) – Available in multiple grits

These pre-cut sheets have a Velcro backing and match fit with our multi-tool Finger Sanding Pads. This product meets or exceeds common duty sanding standards.

- These quick attach sandpaper sheets have a hook-and-loop backing for easy positioning and removal from a multi-tool finger sanding pad
- These finger pad fit hook & loop sheets are for use with almost any brand multi-tool with a finger hook & loop sanding pad attachment



Measurements	Grit	SKU
1-7/16" x 2"	40	M027SP40
1-7/16" x 2"	60	M027SP60
1-7/16" x 2"	80	M027SP80
1-7/16" x 2"	120	M027SP120
1-7/16" x 2"	180	M027SP180
1-7/16" x 2"	240	M027SP240



Contour Profile Sanding Kit

M036

This unique sander allows you to do jobs that could only be done before by hand, such as sanding contoured baseboards, window frames, plank edges or any other hard to reach concave, convex or gaped surfaces.

- Ideal for detailed finishing work on most complex surfaces
- Use this sanding kit on surfaces such as wood, painted wood and plastics



Sanding kit contains:

- A. 1 metal casting harness mount
- B. 1 of each: 80, 120 & 180 grit premium cloth backed sandpaper
- C. 1 small radius convex rubber form block
- D. 1 trapezoidal rubber form block for tongue-&-groove spaced items
- E. 1 large radius convex rubber form block
- F. 1 concave rubber form block
- G. 1 flat nose rectangular rubber form block for sanding in gaped spaces
- H. 1 v-shape rubber form block for inside 90° sanding

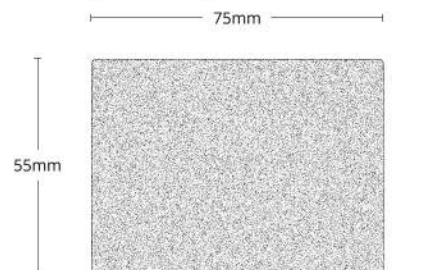
Contour Profile Sanding Sheets (25 pack) – Available in multiple grits

Our cloth backed flexible sanding sheets will universally match our M036 and the Fein MultiMaster contour profile sanding units. These sanding-belt quality sheets exceed industry standards.

- Our pre-cut flexible cloth backed sanding sheets are specifically designed for our Contour Profile Sanding Kit (SKU: M036)
- Use these sanding sheets on surfaces such as wood, painted wood and plastics
- Extra sheet quantities are a must for profile sanding applications, material removal will be rapid with very localized grit wear



Measurements	Grit	SKU
55mm x 75mm	80	M036SP80
55mm x 75mm	120	M036SP120
55mm x 75mm	180	M036SP180



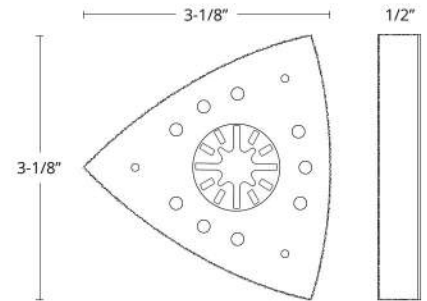
Triangular Felt Polishing Pad M219

This Polishing Pad is perfect for paste application or polishing of most glossy surfaces in and around your home or workshop.

- Ideal for polishing work on stainless steel, chrome, silver, brass or any other glossy materials
- Apply some polishing paste and start polishing to bring out the shine on glossy fiberglass panels all the way into those tight corners
- Perfect for rubbing compound applications on your automobile body panels to remove light scratches or scuff marks



Measurements	Teeth per Inch	Plunge Depth
3-1/8" x 3-1/8" 1/2" thickness	N/A	N/A



Triangular Scouring Pad S319

Our scouring sheets are perfect for cleaning applications on most surfaces indoor or out.

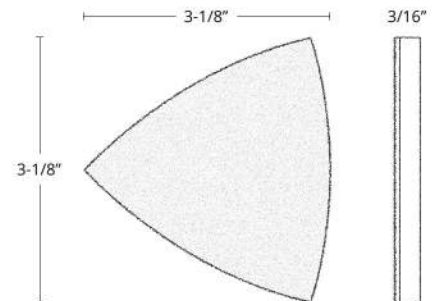
- These sheets are made of soft non-woven nylon fibers and are designed to attach onto your triangular multi-tool sanding pads
- Designed for light action scrubbing, these scouring sheets will not damage most surfaces and will compliment most cleaning solutions
- The red Velcro side attaches to your multi-tool sanding pad and the white side does the cleaning

Scouring side



Measurements

3-1/8" x 3-1/8"
3/16" thickness



Replacement Screw, Washer and Allen Key for Generic Multi-Tools // // // // **SCRKIT**

This replacement screw kit secures the cutting blades and accessories onto the arbor of generic oscillating multi-tools.

- This kit replaces your lost screw, spring washer & Allen wrench or serves as a convenient back-up
- **Kit includes:** 6mm Allen wrench, M8 Low Profile Allen screw and spring washer



Compatible with:

Batavia Multi-Tool, **Chicago Electric models**, Einhell Multitool, Force 2.2 Amp, **Genesis Multi-Purpose**, GTV Oscillating Tool, Hardin Oscillating Multi-Function, Haussmann 5-in-1 Multi-Purpose, Jobmate Oscillating Tool, **King Canada Oscillating Multi-Tool**, Klutch, Kwik Tool Multi-Function, Norge Oscillating Multi-Tool, Ozito, Pit Bull Multifunction, Project Pro Multipurpose, (ROK) Samona Oscillating Multi-Tool, Shop Basics Multi-Function, Tool Shop Multifunction, TradeMaster Oscillating Tool, Voss Multi-Tool, Wen Multi-Tool, Wolf Oscillating Multi Tool, Workzone Multitool, XU1 Multi Function Tool

Bosch Multi-Tool Replacement Screw, Flange & Wrench // // // // // // // // **BoschSCRKIT**

This is a blade screw kit for Bosch Multi-X models utilizing an Allen screw for securing the working accessories.

- This 3 piece kit replaces your Bosch Multi-X multi-tool lost screw, flange & wrench or serves as a convenient back-up
- **Kit includes:** A blade securing Allen screw, screw flange and Allen wrench



Compatible with:

Bosch PS50-2A 12-Volt Multi-X, Bosch Multi-Cutter GOP 10.8 V-LI, Bosch MX25EC 2.5 amp Oscillating MultiTool, Bosch GOP 250 CE Professional, Bosch PMF 180 E Multi All Rounder

Dremel Multi-Max Replacement Screw, Flange & Wrench // // // // // // // // **DremelSCRKIT**

This is a blade screw kit for Dremel Multi-Max models utilizing an Allen screw for securing the working accessories.

- This 3 piece kit replaces your lost Dremel Multi-Max screw, washer & wrench or serves as a convenient back-up
- **Kit includes:** A blade securing Allen screw, flange washer and Allen wrench



Compatible with:

Multi-Max 6300, Multi-Max 8300, Multi-Max MM20

Makita Multi-Tool Replacement Screw, Flange & Wrench *////// MakitaSCRKIT*

This is a blade screw kit for Makita multi-tool models utilizing an Allen screw for securing the working accessories.

- This 3 piece kit replaces your Makita multi-tool lost screw, flange & wrench or serves as a convenient back-up
- **Kit includes:** A blade securing Allen screw, screw flange, O-ring and Allen wrench



Compatible with:

Makita TM3000CX5 Multi-Tool, Makita LXMT025 18-Volt LXT Lithium-Ion Cordless Multi Tool, Makita LXMT02Z 18-Volt LXT Lithium-Ion Cordless Multi Tool

Milwaukee Multi-Tool Replacement Screw, Flange & Wrench */// MilwaukeeSCRKIT*

This is a blade screw kit for Milwaukee multi-tool models utilizing an Allen screw for securing the working accessories.

- This 3 piece kit replaces your lost Milwaukee M12 multi-tool screw, flange & wrench or serves as a convenient back-up.
- **Kit includes:** A blade securing Allen screw, screw flange and Allen wrench.



Compatible with:

Milwaukee M12 12-Volt Lithium-Ion Cordless Multi-Tool

Ridgid/Ryobi Multi-Tool Replacement Screw, Flange & Wrench *////// RidgidSCRKIT*

This is a blade screw kit for Ridgid & Ryobi multi-tool models utilizing an Allen screw for securing the working accessories.

- This 4 piece kit replaces your lost Ridgid & Ryobi multi-tool screw, flange, O-ring & wrench or serves as a convenient back-up
- **Kit includes:** A blade securing Allen screw, screw flange, O-ring and Allen wrench.



Compatible with:

Ridgid 12V Lithium-Ion Drill/JobMax Combo with Multi-Tool Head, Ridgid 3.0 Amp Multi-Tool (R28600 AC Corded Power Handle & R8223404 Multi-Attachment), Ryobi 18V JobPlus with Multi-Tool Attachment P340 (P246 JobPlus Base & P570 Multi-Tool Head), Ryobi MT100K Ryobi 2.0 Amp Multi-Tool

10 Piece Handyman Base Essentials Kit // **KIT10sx**

Here is an essential group of blades that will allow you to handle the most common cutting jobs.



Includes	SKU
2 Pieces: 1-3/8" Bi-Metal Universal Saw Blade	M001
2 Pieces: 1-1/4" Fine Tooth Saw Blade	M003
2 Pieces: 1-3/8" Japan Tooth Saw Blade	M004
1 Piece: 3/8" Fine Tooth Stainless Steel Saw Blade	M005
1 Piece: 3/4" Fine Tooth Stainless Steel Saw Blade	M006
1 Piece: 2-5/8" Fine Tooth Saw Blade	M008
1 Piece: 3-1/2" Flush Cut Segmented Circular Saw Blade	M022

20 Piece Handyman Master Essentials Kit // **KIT20sx**

Here is a comprehensive group of blades that will allow you to handle a broad range of cutting jobs.



Includes	SKU
2 Pieces: 1-3/8" Bi-Metal Universal Saw Blade	M001
2 Pieces: 1-1/8" Premium Bi-Metal Universal Saw Blade	M002
2 Pieces: 1-1/4" Fine Tooth Saw Blade	M003
2 Pieces: 1-3/8" Japan Tooth Saw Blade	M004
1 Piece: 1-3/4" Wide Bi-Metal Universal Saw Blade	M045
1 Piece: 3/8" Fine Tooth Stainless Steel Saw Blade	M005
1 Piece: 3/4" Fine Tooth Stainless Steel Saw Blade	M006
2 Pieces: 2-5/8" Fine Tooth Saw Blade	M008
2 Pieces: 2-5/8" Japan Tooth Saw Blade	M009
1 Piece: Flush Cut Tapered Sealant Cutter	M035
1 Piece: Flush Cut Knife Edge Scraper	M011
1 Piece: 3-1/8" circular HSS Saw Blade	M021
1 Piece: 3-1/2" Flush Cut Segmented Circular Saw Blade	M022
1 Piece: Segment Knife Swing Blade	M032

9 Piece Universal Bi-Metal Blade Trilogy // **BMTS9**

Use this all bi-metal multi-pupose set of wood/metal cutting blades for demolition or construction jobs.



Includes	SKU
3 Pieces: 1-3/8" Bi-Metal Universal Saw Blade	M001
3 Pieces: 1-1/8" Premium Bi-Metal Universal Saw Blade	M002
3 Pieces: 1-3/4" Wide Bi-Metal Universal Saw Blade	M045

16 Piece Universal Bi-Metal Blade Tetralogy **BMTS16**

Use this all bi-metal multi-purpose set of wood/metal cutting blades for demolition or construction jobs.



Includes	SKU
4 Pieces: 1-3/8" Bi-Metal Universal Saw Blade	M001
4 Pieces: 1-1/8" Premium Bi-Metal Universal Saw Blade	M002
4 Pieces: 1-3/4" Wide Bi-Metal Universal Saw Blade	M045
4 Pieces: 1-3/4" Wide Titanium Bi-Metal Universal Saw Blade	M045T

10 Piece Winter Special Kit **KITW10**

Here is a popular group of blades for your multi-tool that are ready to conquer almost any cutting tasks.



Includes	SKU
2 Pieces: 1-1/8" Premium Bi-Metal Universal Saw Blade	M002
1 Piece: 1-3/4" Wide Bi-Metal Universal Saw Blade	M045
1 Piece: 1-1/4" Fine Tooth Saw Blade	M003
2 Pieces: 1-3/8" Japan Tooth Saw Blade	M004
1 Piece: 1-1/4" 1-1/4" Fine Tooth Stainless Steel Saw Blade	M006HC
1 Piece: 1-1/4" Fine Tooth Stainless Steel Saw Blade	M007
1 Piece: 2-5/8" Fine Tooth Saw Blade	M008
1 Piece: 2-5/8" Japan Tooth Saw Blade	M009

Circular Blade Set **CBS3**

3 of our best selling oscillating circular blades. Use them for controlled liner cutting of wood or sheet metal.



Includes	SKU
1 Piece: 3-1/8" Circular HSS Saw Blade	M021
1 Pieces: 3-1/2" Flush Cut Segmented Circular Saw Blade	M022
1 Piece: 3-1/8" Segmented Circular HSS Saw Blade	M020

14 Piece Combination Set **XMAS2012**

This blade variety kit will allow you to realize the true potential of your oscillating multi-tool.



Includes	SKU
1 Piece: 1-3/4" Wide Titanium Bi-Metal Universal Saw Blade	M045T
1 Piece: 1-3/8" Bi-Metal Universal Saw Blade	M001
1 Piece: 1-1/4" Fine Tooth Saw Blade	M003
1 Piece: 1-3/8" Japan Tooth Saw Blade	M004
1 Piece: 3/8" Fine Tooth Stainless Steel Saw Blade	M005
1 Piece: 3/4" Fine Tooth Stainless Steel Saw Blade	M006
1 Piece: 1-1/4" Fine Tooth Stainless Steel Saw Blade	M007
1 Piece: 2-5/8" Fine Tooth Saw Blade	M008
1 Piece: Flat Knife Edge Scraper	M010
1 Piece: Flush Cut Knife Edge Scraper	M011
1 Piece: 2-1/2" Flush Cut Carbide Blade	M014
1 Piece: Flush Cut Triangular Carbide Rasp	M016
1 Piece: 3-1/8" Circular HSS Saw Blade	M021
1 Piece: 3-1/2" Flush Cut Segmented Circular Saw Blade	M022

6 Piece Tile Grout Essentials Kit **KIT6tx**

This essential group of carbide and diamond blades will make short work of any tile grout project.



Includes	SKU
1 Piece: 2-1/2" Flush Cut Carbide Blade	M014
1 Piece: Flush Cut Triangular Carbide Rasp	M016
1 Piece: Flush Cut Finger Carbide Rasp	M017
1 Piece: 2-1/2" Diamond Circular Saw Blade	M030
1 Piece: Diamond Swing Blade Blade	M031
1 Piece: 2-5/8" Segment Flush Cut Diamond Blade	M034

Small Tile Grout Project Kit **KIT3PCTG**

This carbide 3 piece set is perfect for most small area tile grout projects.



Includes	SKU
1 Piece: Flush Cut Triangular Carbide Rasp	M016
2 Pieces: 2-1/2" Flush Cut Carbide Blade	M014

12 Piece Master Tile Grout Kit **MTGKit12**

This comprehensive group of carbide and diamond blades is perfect for complex tile grout projects.



Includes	SKU
1 Piece: 2-1/2" Flush Cut Carbide Blade	M014
1 Piece: 2-1/2" Flush Cut Diamond Blade	M014D
1 Piece: 2-1/2" Flush Cut Full Circle Carbide Blade	M015
1 Piece: Flush Cut Triangular Carbide Rasp	M016
1 Piece: Flush Cut Finger Carbide Rasp	M017
1 Piece: 3-5/8" Flush Cut Segmented Diamond Circular Blade	M029
2 Pieces: 2-1/2" Diamond Circular Saw Blade	M030
2 Pieces: Diamond Swing Blade Blade	M031
1 Piece: 2-5/8" Segment Flush Cut Diamond Blade	M034
1 Piece: Narrow Carbide Finger Blade	M061

5 Piece Scraper Job Essentials Kit **SJESKit5**

This variety set of scrapers enhances your ability to access and knife away pliable materials in any situation using your multi-tool.



Includes	SKU
1 Piece: 2-1/2" Flush Cut Carbide Blade	M010
1 Piece: Flush Cut Knife Edge Scraper	M011
1 Piece: Flush Cut Convex Segment Knife Edge Scraper	M012
1 Piece: Flush Cut Concave Segment Knife Edge Scraper	M013
1 Piece: Flush Cut Tapered Sealant Cutter	M035

32 Piece Basic Project Sanding Kit **SPSK**

This kit contains the essential components needed for most multi-tool sanding projects.



Includes	SKU
2 Pieces: Triangular Sanding Pad	M019
15 Pieces: 60 Grit Sanding Pack	M025SP60
10 Pieces: 120 Grit Sanding Pack	M025SP120
5 Pieces: 180 Grit Sanding Pack	M025SP180

32 Piece Small Project Finger Sanding Kit *SPFSK*

This kit contains the essential components needed for sanding in tight spaces using your multi-tool.



Includes	SKU
2 Pieces: Finger Sanding Pad	M018
15 Pieces: 60 Grit Finger Sanding Pack	M027SP60
10 Pieces: 120 Grit Finger Sanding Pack	M027SP120
5 Pieces: 180 Grit Finger Sanding Pack	M027SP180

106 Piece Sanding Essentials Kit *KITsandx*

This comprehensive kit is designed to give every oscillating multi-tool users the practical reserves needed to tackle a broad range of sanding jobs.



Includes	SKU
3 Pieces: Finger Sanding Pad	M018
3 Pieces: 2-1/2" Flush Cut Carbide Blade	M019
10 Pieces: 60 Grit Sanding Pack	M025SP60
10 Pieces: 80 Grit Sanding Pack	M025SP80
10 Pieces: 120 Grit Sanding Pack	M025SP120
10 Pieces: 180 Grit Sanding Pack	M025SP180
10 Pieces: 240 Grit Sanding Pack	M025SP240
10 Pieces: 60 Grit Finger Sanding Pack	M027SP60
10 Pieces: 80 Grit Finger Sanding Pack	M027SP80
10 Pieces: 120 Grit Finger Sanding Pack	M027SP120
10 Pieces: 180 Grit Finger Sanding Pack	M027SP180
10 Pieces: 240 Grit Finger Sanding Pack	M027SP240

Contour Profile Sanding Kit with 75 replacement sheets *M036PLUS*

This specialty kit contains the operating supplies needed for sanding contoured baseboards, window frames, plank edges and other hard to reach concave, convex or gaped surfaces using your multi-tool.



Includes	SKU
1 Metal casting harness mount	M036
1 Small radius convex rubber form block	
1 Large radius convex rubber form block	
1 Trapezoidal rubber form block for tongue-&-groove spaced items	
1 Flat nose rectangular rubber form block for sanding in gaped spaces	
1 Concave rubber form block	
1 V-shape rubber form block for inside 90° sanding	
25 Sheets: 80 Grit Profile Sanding Sheets	M036SP80
25 Sheets: 120 Grit Profile Sanding Sheets	M036SP120
25 Sheets: 180 Grit Profile Sanding Sheets	M036SP180

Combo Set Profile Sanding Sheets (3 X 25 Pk) // M036SPV

This set of cloth backed sanding sheets is for use with our #M036 or the Fein MultiMaster Contour Profile Sanding unit. Use this kit as a supply reserve needed for most multi-tool contour sanding jobs.



Includes	Sku
25 Sheets: 80 Grit Profile Sanding Sheets	M036SP80
25 Sheets: 120 Grit Profile Sanding Sheets	M036SP120
25 Sheets: 180 Grit Profile Sanding Sheets	M036SP180

Tips & Tricks

Achieving Clean Cut-Lines using your Multi-Tool

Do your multi-tool cuts look jagged and ugly? How can you make your cuts look cleaner with a machine you are basically using freehand?

Here's what to do:

Mark your cut line and with your multi-tool do a shallow score cut along the full length of that line. This initial cutting pass will serve as a tracking groove for your subsequent passes. Now on each new pass progressively work the blade deeper and deeper. Keep doing this until you cut all the way through the material.

This technique will give you the cleanest freehand cut possible using a multi-tool.

What blades are recommended for cutting tile grout, plaster, concrete board or Hardie board?

If you've already tried to cut these abrasive materials with a regular saw blade you'll know that your cutting teeth will get completely worn down almost immediately. For these tough materials try using our **carbide** or **diamond blades**. Diamond blades are more expensive but will generally last longer than carbide blades. By comparison a standard carbide blade may remove up to 10 linear feet of tile grout where a diamond blade in the same situation, may remove up to 30 linear feet of grout.

A very simple guide to using the Speed Control dial on your Multi-tool

This rule is easy to remember and gets you through 95% of all multi-tool situations. Set your multi-tool control dial to the **highest speed** for all cutting applications. It does not matter if you're sawing wood or metal, or if you're using a fine, coarse or Japan tooth blades, setting the speed dial to the highest number will be your most effective way to let the multi-tool do the cutting as you simply guide your machine.

The second part of this rule is to set the control dial to the **slowest speed** for all sanding. It does not matter what you're sanding or what size pad you're using, slowing the speed down will reduce critical heat buildup in the sanding sheets and pad. Reducing the heat buildup will extend the life of your pad's Velcro surface which is critical for holding the sanding sheets.

Inventor Program

At Multi-Fit Blades we regularly consult with independent inventors from around the world who present us with innovative new ideas for the oscillating tool industry. Several products shown in this catalog are the result of ideas submitted from inventors.

If you've invented or are currently developing an original application idea for oscillating multi-tools and would like to discuss the possibility of Multi-Fit Blades marketing or even producing this new product, please contact us and we will send you our [Inventor Disclosure Agreement](#).

This Inventor Program allows anyone regardless of their experience level to submit their idea or invention for a review by our experienced technicians. We will assess the marketability of new and original multi-tool accessory concepts with the understanding that we will commit to a design project that can justify a minimum production run of 10,000 units for our distribution and consumer networks. Typically our assessment process takes six months to a year to determine if an idea has profitability potential. Materials, prototypes, field testing and feasibility cost studies, are the investigations we take to ensure an idea successfully makes it to market.

We are specifically seeking unique ideas that directly enhance the feature capabilities of oscillating multi-tools. These new ideas could be for cutting, sanding or any other material removal situation where a process improvement would be welcomed by the industry.

Please be aware that most submitted ideas are dismissed upon receipt. In many cases these ideas cannot be cost effectively produced. Or sometimes an idea has already been submitted before and is being evaluated or was previously declined. We will only reply to multi-tool accessory idea submissions that interest us as being recognizably unique, innovating and potentially attractive to the marketplace.

For more information about our Product Development program, please email us at [**ideas@multifitblades.com**](mailto:ideas@multifitblades.com)



Proudly serving our customers around the globe since 2010.

Visit MultiFitBlades.com to see even more blades and accessories to fit your multi-tool.